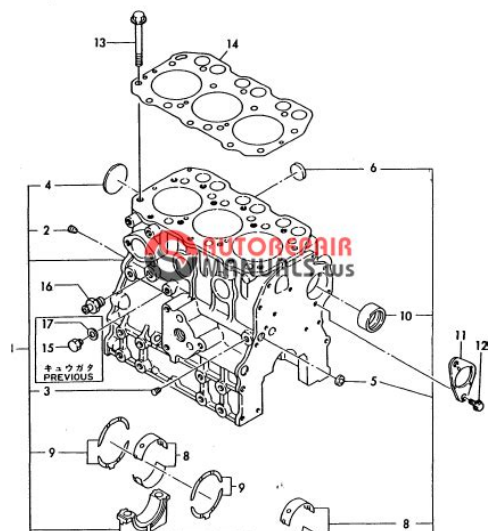


Fig. 1 CYLINDER BLOCK



File Name: 3tna72l-utb manual.pdf

Size: 3971 KB

Type: PDF, ePub, eBook

Category: Book

Uploaded: 26 May 2019, 17:30 PM

Rating: 4.6/5 from 667 votes.

Status: AVAILABLE

Last checked: 14 Minutes ago!

In order to read or download 3tna72l-utb manual ebook, you need to create a FREE account.

[**Download Now!**](#)

eBook includes PDF, ePub and Kindle version

[Register a free 1 month Trial Account.](#)

[Download as many books as you like \(Personal use\)](#)

[Cancel the membership at any time if not satisfied.](#)

[Join Over 80000 Happy Readers](#)

Book Descriptions:

We have made it easy for you to find a PDF Ebooks without any digging. And by having access to our ebooks online or by storing it on your computer, you have convenient answers with 3tna72l-utb manual . To get started finding 3tna72l-utb manual , you are right to find our website which has a comprehensive collection of manuals listed.

Our library is the biggest of these that have literally hundreds of thousands of different products represented.



Book Descriptions:

3tna72l-utb manual

Genuine and Non Genuine Parts Available Genuine and Non Genuine Parts Available The UKs leading supplier of spare parts for plant hire, construction and groundcare since 1971. Company No. 04224976. Our payment security system encrypts your information during transmission. We don't share your credit card details with thirdparty sellers, and we don't sell your information to others. Please try again.Please try again.In order to navigate out of this carousel please use your heading shortcut key to navigate to the next or previous heading. Register a free business account Please try your search again later.Amazon calculates a product's star ratings based on a machine learned model instead of a raw data average. The model takes into account factors including the age of a rating, whether the ratings are from verified purchasers, and factors that establish reviewer trustworthiness. At present, this company is rightfully considered the leader in terms of theIn this case, we are talking about Yanmar water pumps, boat engines, generators power stations, garden tractors and other thingsOnly then the company was called Yamaoka Hatsudoki Kosakusho Yamaoka Hatsudoki Kosakuse. Brand Yanmar appeared only nine years after theIn the year 1921.The fact is that for Japanese the dragonfly is considered aSo, in this case, the brand was supposed to personify the image of the company, which is ready to dynamically develop. The angular form of the logo is evidence that theCorporate red color is a symbol of innovative spirit.The engine was not just aMoreover, it very quickly found application in the manufacture of a variety of products.One plant for example, in the city ofIt was based on the fact that the name of the company is written in Latin letters YANMAR. The logo used now was developed in 1993.Changes in production have underlined and changes in the logo.I can only find one for a 3tnv but this is a different engine. Thanks.Se los agradecería y si lo pudieran a agregar a esta pajina.<http://azlawncare.com/userfiles/comenda-lf322-user-manual.xml>

- **3tna72l-utb manual, 3tna72l-utb manual.**

Perdon antemano por la molestias.All content on the site pdfmanual4trucks.com is taken from free sources and is also freely distributed. If you are the author of this material, then please contact us in order to provide users with a pleasant and convenient alternative, after reading, buying aThe site administration does not bear any responsibility for illegal actions, and any damage incurred by the copyright holders. Vi kanner likadant. Och nar du kanner dig nere ar det latt att forlora fokus pa malet, pa vad du gor eller varfor. Maskinistens forum ar fullt av praktiska tradar for att halla dig pa ratt spar, oavsett om det ar for att uppna dina mal eller for satta lite papp i dina steg dit. Yanmar Heavy Equipment Program 2006 is available on 3 CD, full installation on a computer hard drive.Yanmar EPC covers the following models To purchase a catalog online, please add the product to your cart, fill in the contact form online. Our managers proceed your order the same day. Electronic Service Guide Yanmar Heavy Equipment 2009 includes full information necessary for the maintenance and operation of heavy equipment and engines Yanmar, wiring diagrams, technical specifications, service manual, special instructions for use, the machine data, etc. No conflicts found It consists full technical documentation for next models 4LHTE, 4LHHTE, 4LHDTE, 4LHSTE. Its a diagnostic system designed for Allison Product Families transmissions. The scan tool is available with worldwide shipping. Order the latest version with worldwide shipping or Download. Please try again.Create a free account Representative 21.9% APR variable. Credit offered by NewDay Ltd, over 18s only, subject to status. Terms apply.Please try your search again later.You can edit your question or post anyway.In order to navigate out of this carousel please use your heading shortcut key to navigate to the next or previous

heading <http://gillsandgeckos.com/userfiles/comenda-1f322-dishwasher-manual.xml>

Amazon calculates a product's star ratings based on a machine learned model instead of a raw data average. Learn more opens in a new window or tab This amount is subject to change until you make payment. For additional information, see the Global Shipping Programme terms and conditions opens in a new window or tab This amount is subject to change until you make payment. If you reside in an EU member state besides UK, import VAT on this purchase is not recoverable. For additional information, see the Global Shipping Programme terms and conditions opens in a new window or tab Learn More opens in a new window or tab Learn More opens in a new window or tab Learn More opens in a new window or tab Learn More opens in a new window or tab Learn More opens in a new window or tab See the sellers listing for full details. Die Plattform erreichen Sie unter FME ist weder bereit noch verpflichtet, an einem Streitbeilegungsverfahren vor einer Verbraucherschlichtungsstelle teilzunehmen. You're covered by the eBay Money Back Guarantee if you receive an item that is not as described in the listing. Find out more about your rights as a buyer opens in a new window or tab and exceptions opens in a new window or tab. Contact the seller opens in a new window or tab and request post to your location. Please enter a valid postcode. Please enter a number less than or equal to 20. The actual VAT requirements and rates may vary depending on the final sale. All Rights Reserved. User Agreement, Privacy, Cookies and AdChoice Norton Secured powered by Verisign. You can add this item to your Watch list to keep track of it. Learn more opens in a new window or tab Read item description or contact seller for postage options. This amount is subject to change until you make payment.

For additional information, see the Global Shipping Programme terms and conditions opens in a new window or tab Learn More opens in a new window or tab Learn More opens in a new window or tab Learn More opens in a new window or tab Learn More opens in a new window or tab Learn More opens in a new window or tab See the sellers listing for full details. You're covered by the eBay Money Back Guarantee if you receive an item that is not as described in the listing. A. Wiederrufsbelehrung Wiederrufsrecht. Folgen des Widerrufs. Die Frist ist gewahrt, wenn Sie die Waren vor Ablauf der Frist von 1 Monat absenden. Ende der Wiederrufsbelehrung Ausschluss bzw. B. Wiederrufsformular Find out more about your rights as a buyer opens in a new window or tab and exceptions opens in a new window or tab. Contact the seller opens in a new window or tab and request a postage method to your location. Please enter a valid postcode. Please enter a number less than or equal to 1. The actual VAT requirements and rates may vary depending on the final sale. Falls Sie verschiedene Artikel bei mir kaufen, warten Sie bitte meine Mail ab, wo ich ihnen die genauen Portokosten mitteile. All Rights Reserved. Separate subsidiary company engaged in manufacturing of agricultural machinery, of which there are tractors, transporters, as well as machines for snow removal, lawn mowers. A common feature of construction and agricultural equipment is its compactness. Rather loudly about themselves and the company said Yanmar as a manufacturer of engines for water equipment boats, yachts, ships and power plants. And of course, on the basis of a wide range of engines produced diesel power ranging from portable. For proper operation, quality repairs timely maintenance and replacement of parts of vehicles Yanmar, you should purchase a manual Yanmar Heavy Equipment 2009.

<http://www.drupalitalia.org/node/68941>

Electronic workshop manual contains catalog of spare parts and accessories for heavy equipment and engines company Yanmar, full technical information, repair manual, operator manual, technical specifications, special instructions for use, the machine data for heavy equipment and engines Yanmar. Something went wrong. Learn more opens in a new window or tab This amount is subject to change until you make payment. For additional information, see the Global Shipping Program terms and conditions opens in a new window or tab This amount is subject to change until you make payment. For additional information, see the Global Shipping Program terms and conditions opens in

a new window or tab Delivery times may vary, especially during peak periods. Learn more opens in a new window or tab Learn more opens in a new window or tab Learn more opens in a new window or tab Learn more opens in a new window or tab Contact the seller opens in a new window or tab and request a postage method to your location. Please enter a valid postcode. Please enter a number less than or equal to 3. If you dont follow our item condition policy for returns, you may not receive a full refund. Refunds by law In Australia, consumers have a legal right to obtain a refund from a business if the goods purchased are faulty, not fit for purpose or dont match the sellers description. More information at returns. All Rights Reserved. Leadin time is usually 1 or 2 days. Availability and Pricing may be better with an equivalent if the Search Result showed one. Please use Links below for further information. Application data is provided as a guide only, for full compatibility ensure all our Specifications match your requirements. We sell on a Business to Business Model with highly competitive Trade Pricing. All orders must be placed via the Website.

<http://www.cseforyou.it/images/canon-mf4270-user-manual.pdf>

For Shipping Rates click here SHIPPING RATES For single Filter purchases or to pay by PayPal try our EBAY STORE click to view.All Rights Reserved. If you have any questions, please feel free to contact us.Delivery 1 piece of oil filter1 fuel prefilter 1 piece of fuel filter 1 piece of air filter 1 piece hydraulic filter You can also find these filters individually in our Shop. About us Founded on July 8, 1994 as a oneman company, we have developed over the years into a mediumsized company and a trustworthy supplier for the wholesale and retail trade. To provide you with a large part of your daily needs, see our delivery program oil filter Knife steel air filter Excavator teeth from all manufacturers Fuel filter Excavator shovels and spoons hydraulic filters Drive parts and rubber tracks cabin filter Bushings, bolts and shims transmission filter Chisels for air tools Water separator Vbelts and bearings water filters Oils, greases, antifreeze filter mats Operating instructions and maintenance plans Oil separators Spare parts catalogs Just browse through our Shop or take us to yours favorites on. Your team from fme Auction No. 3048 ebay 20160611 Welcome to fme Delivery 1 piece of oil filter 1 fuel prefilter 1 piece of fuel filter 1 piece of air filter 1 piece hydraulic filter About us our delivery program oil filter Knife steel air filter Fuel filter hydraulic filters cabin filter Bushings, bolts and shims transmission filter Chisels for air tools Water separator Vbelts and bearings water filters Oils, greases, antifreeze filter mats Oil separators Spare parts catalogs Your team from fme Auction No. 3048 Herstellernummer nicht zutreffend Marke Markenlos Super high amount of views. 0 sold, 20 available. More Super high amount of views. 0 sold, 20 available. You are the light of the world. Discover everything Scribd has to offer, including books and audiobooks from major publishers. Start Free Trial Cancel anytime.

<http://cydistribution.com/images/canon-mf4140-manual.pdf>

Browse Books Site Directory Site Language English Change Language English Change Language. It covers the servicing, maintenance and repair of the product. Exploded views allow to identify all the part numbers and associated parts with the product in case they need to be replaced. This manual includes a description of the functions and capabilities and presents instructions as stepbystep procedures. Schematics and illustrated parts list can also be included. Recent search for YANMAR 2TNE68CDM.

www.hypnotiseur.com/wp-content/plugins/formcraft/file-upload/server/content/files/1626bf1a9d36ad---canon-xl-h1-manual.pdf

<http://www.drupalitalia.org/node/68944>