



**File Name:** cs 800 peavey service manual.pdf

**Size:** 2105 KB

**Type:** PDF, ePub, eBook

**Category:** Book

**Uploaded:** 6 May 2019, 21:16 PM

**Rating:** 4.6/5 from 691 votes.

**Status:** AVAILABLE

Last checked: 9 Minutes ago!

**In order to read or download cs 800 peavey service manual ebook, you need to create a FREE account.**

[\*\*Download Now!\*\*](#)

eBook includes PDF, ePub and Kindle version

[Register a free 1 month Trial Account.](#)

[Download as many books as you like \(Personal use\)](#)

[Cancel the membership at any time if not satisfied.](#)

[Join Over 80000 Happy Readers](#)

### Book Descriptions:

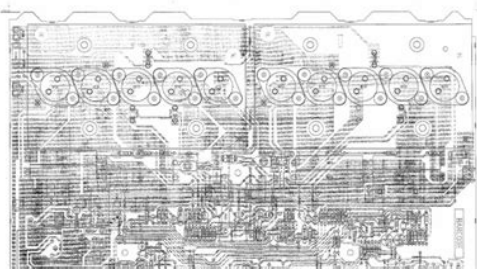
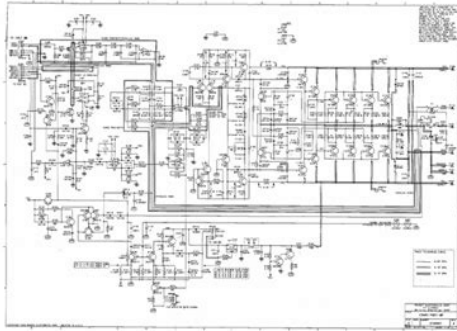
We have made it easy for you to find a PDF Ebooks without any digging. And by having access to our ebooks online or by storing it on your computer, you have convenient answers with cs 800 peavey service manual . To get started finding cs 800 peavey service manual , you are right to find our website which has a comprehensive collection of manuals listed.

Our library is the biggest of these that have literally hundreds of thousands of different products represented.



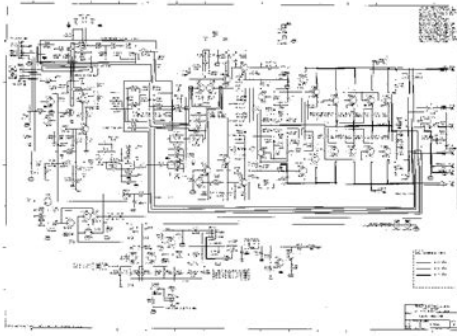
## Book Descriptions:

# cs 800 peavey service manual

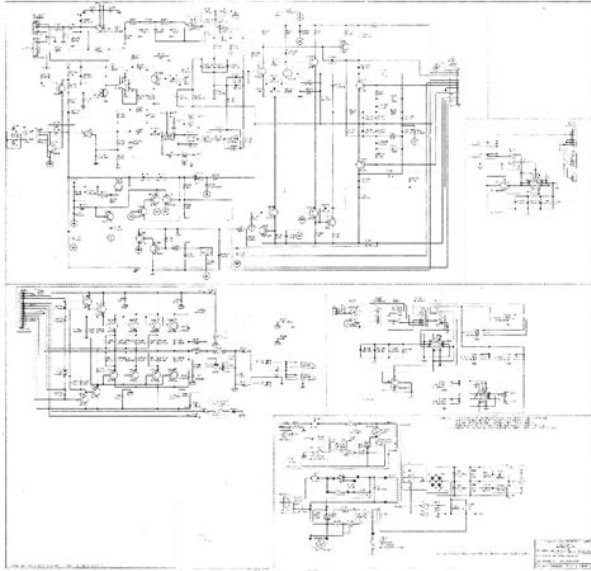


Please do not offer the downloaded file for sell only use it for personal usage. Looking for other manual For this no need registration. May be help you to repair. You could suffer a fatal electrical shock. Instead, contact your nearest service center. Note! To open downloaded files you need acrobat reader or similar pdf reader program. In addition, Also some files are djvu so you need djvu viewer to open them. These free programs can be found on this page needed progs If you use opera you have to disable opera turbo function to download file. If you cannot download this file, try it with CHROME or FIREFOX browser. Translate this page Relevant AUDIO forum topics Peavey sound master 112 Sziasztok. Segitseg kellene ehhez a joszaghoz.hat mar mindent vegig mertem rajta TR,ICK cserelve.es meg mindig torzitiva szol,es a hangereje sem a regi.esetleg valakinek rajz volna hozza megkoszonnem.Ugylatszok megserult valamelyik a 8 kozul, mert a hangszorokimeneten 0Vrol novekszik szep lassan az egyenfeszultseg kb. Tude valaki valami otletet raVettem kulfoldon egy a cimben említett basszusgitar erositot amugy 150Wos a hozza illo hangfallal, hibasan. Az eredeti hibaleiras azt mondta, hogy bekapcsolva az erositot nem ad eletjelet magarol. Tegnap volt alkalmam eloszor megvizsgalni. A primer oldali biztositek 3,15A szakadt volt, ezek utan ovatos mericskelesek kovetkeztek eloszor a trafo szekunder koreit lekotottem az aramkorokrol es egy 100Wos izzon keresztul kapcsoltam be, igy az izzoszal epphogy csak izzot, megmertem a graetzet, jonak tunt, sajnos a puffer kondikat nem tudtam kimerni, mert annyira nem szedtem szet, inkabb vakmeroen tettem bele uj biztositekot es bekapcsoltam ugy. Be lehetett kapcsolni es vilagitott, terhelest ezidaig nem kotottem ra. Viszont megmertem muszerrel a nyugalmi aramfelvetelet es ez az ami miatt itt kerdezok, kb. 300mAt vesz fel mindenfele terheles es kivezerles nelkul az erositot, nem tunik ez egy kicsit soknak.<http://inoxindci.com/upload/hotpoint-1200-spin-washer-dryer-manual.xml>

- **1.0, cs 800 peavey service manual, peavey cs 800 x service manual, peavey cs 800 service manual español.**



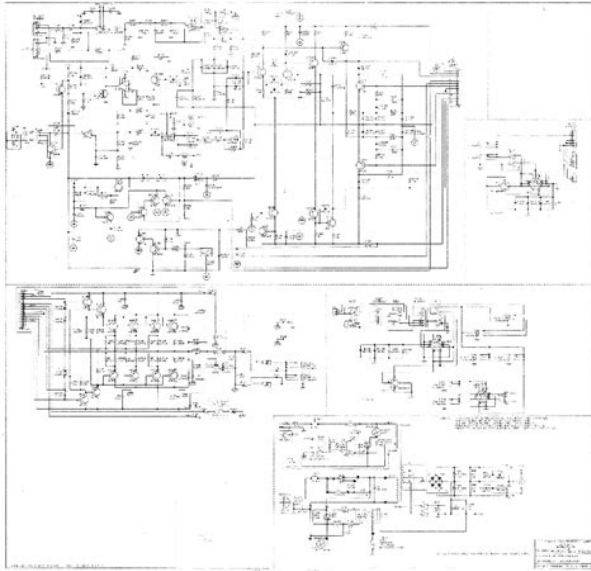
Kapcsolasi rajzot eddig nem talaltam pontos tipus Peavey Mark III XP series 300CHS nem egyezik azzal a MARK 3al ami a tanyan is fent van szerintetek merre erdemes elindulni. Similar manuals You can write in English language into the forum not only in Hungarian. Search results for found ask for a document File Date Descr Size Popular Mfg Model Found in chassis2model Found in repair tips. Discover everything Scribd has to offer, including books and audiobooks from major publishers. Start Free Trial Cancel anytime. Report this Document Download Now Save Save PEAVEY CS800SERVICEMANUAL.pdf For Later 67% 6 67% found this document useful 6 votes 5K views 4 pages PEAVEY CS800SERVICEMANUAL.pdf Uploaded by pw2009222 Description Full description Save Save PEAVEY CS800SERVICEMANUAL.pdf For Later 67% 67% found this document useful, Mark this document as useful 33% 33% found this document not useful, Mark this document as not useful Embed Share Print Download Now Jump to Page You are on page 1 of 4 Search inside document Browse Books Site Directory Site Language English Change Language English Change Language. Please use the form below to log in, or click the signup tab to create a new account. Please let us know if you have any questions or comment on how we run HifiManuals. The schematic is a technical drawing or diagram of your system, a perfect supplement to the Service Manual. This data is collected and thus shared with Google. Got it. Troubleshooting help from experts and users. Ask our large community for support. Peavey peavey cs 800x service manual windsor studio.Download User Guide and Manual Specifications. This Peavey CS800 Schematic Diagram download was added to the repair manual archives Wed Aug 15 2007. Pages 4 PDF 425KB Pag. 20. from PANASONIC MINI DV to PHILCO. MANUALS Home Page Service manuals, owners manuals, technical, bulletins, advertisements, etc. There is a resistor inside that can fail that can cause this.<http://ural-resyrs.ru/data/hotpack-environmental-chamber-manual.xml>



Peavey Electronics Corporation is one of the worlds largest manufacturers and suppliers of musical instruments and professional audio equipment. Since 1965, Peavey. This Peavey CS1000 Amplifier Schematic Diagram download was added to the repair manual archives Wed Sep 26 2007. Pages 1 PDF 326 KB Troubleshooting help from experts and users. Pages 1 PDF 326 KB. The problems with the first CS800 are numerous, some are cheap and easy to fix and others are inherent in the design quasicomplementary outputs for example. First there is a non polarized electrolytic cap in the signal path, second the input stage is an MC1741, which is basically the same as an LM741. An OPA134 and a metalized poly film cap are nice improvements one can make on the cheap. Since this is a budget project and I dont have a problem with hum, the soup can sized main filter caps will be unchanged for the time being. It appears that one has been replaced as its different in appearance than the other. The electrolytics on the drive and input boards are of course being swapped out because it costs hardly anything to do so. plus, its good gremlin repellent! Assuming everything is OK, just 6 components fixes up the drive board to better than new performance. An inside view of the chassis, spaghetti city. The repairman claimed that he had put a lot of time and money into his repair attempt and he wasnt lying. The output stage BJTs are OK. The output BJTs are Motorola with Peavey house numbers but its really 5 pairs of MJ15024. It looks like 6 but on close inspection, the first pair is a driver using MJ15020. The driver stages on the drive board were OK as well, its obviously been repaired as it has a few things from ON Semi, which didnt exist until 1999. The output clamp triacs are also ON Semi devices too. Cool stuff for sure. I tested all the transistors, diodes, caps and resistors on both power boards and on both drive boards, everything was in order. Dont ask how long that took.

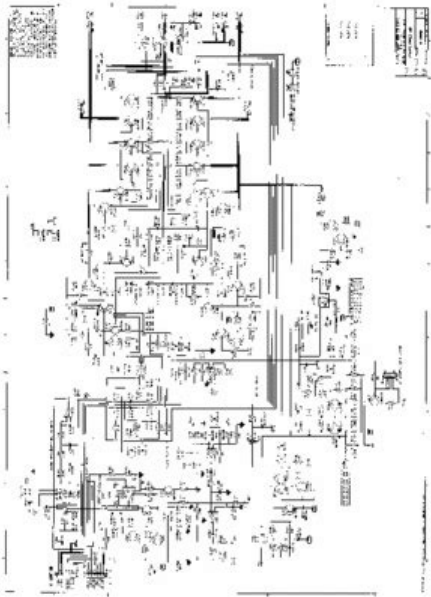
needless to say there are no cold solder joints! So with all those parts good, why did I get DC on Ch. B using the Ch A drive board but proper operation when using the Ch B board. The drive boards are identical; in theory it shouldnt matter what side they came from. I think the answer is simple, the repairman used the wrong opamp in the input stage. He placed a dual opamp NE5532 in place of a single on the ch. A drive board. The pinouts are wildly different but theres no visual indication and nothing to physically prevent the swap. Hopefully thats all there is to fixing that channel. The zener board has a strange issue, all of the 2K ohm, 5W resistors have failed open circuit. This leaves the plug in expansion ports useless. This is an easy fix although Id love to know what took out these resistors. As you can see, things have been a bit toasty where the resistors once sat. More pics. The most boring task of all, cleaning old thermal compound off. Completed CS800 module from the top. Completed module from below showing the drive board. Input boards with their new caps and clean pots Power Board, component side Power Board, solder side. PCBs have come a LONG way! then again, this was anything but state of the art, even for 1977! For home theater service, the amp may be run passively provided that the top is not installed. With no signal the heatsinks barely get warm

if the amp is working right. Beware that open heatsinks on a CS 800 can be dangerous as the transistor cases are at rail voltage and the heatsink is grounded. A small 12V transformer and rectifier could be fit so one could use one of the many 12VDC fans made for computers. 60CFM should be more than enough for almost any application. 100CFM fans would only be needed for live performance. Swapping an OPA134 for a 741, TL071, TL081 or other 741 pin compatible device may require a small modification. If your amp uses the offset null pins on the 741, you will have to devise a way to swap pins 5 and 8.



In most cases this involves only running a jumper as one of the pins is NC, the other offset null. The CS800 does not use the offset null pins so no rewiring was required. The hiss is GONE. Whos bright idea was it to put a 741 in this thing. Morons! Then again, we are talking about 70s Peavey engineering here. big, tough and dumb! LOL! I have rebuilt many many of these things! good job! If its not shut down immediately, two resistors on the drive board burn and the overload light stays on regardless of gain. The overload light will not light at any gain setting if there is no signal. These appear to be in series with the rail supply to the drive board. They are 4.7 ohms. I tested EVERY semiconductor on both boards. all test good. I did a resistance check across all resistors and compared it to the working drive board on channel B, all were in tolerance. No shorts on caps either. The outputs check OK as well and there are no apparent shorts. With no load, the magic smoke is released even faster. What else should I check. Schematic shown below. burned resistors circled in red A first check would be the electrolytics after the resistors as these age first. The electrolytics on the boards are new. They test OK. The electrolytics on the boards are new. They test OK. Try pulling the IC to see if that has blown. The channel supplies NOT the zener board. CraigResources saved on this page MySQL 15.00% vBulletin Optimisation provided by. With these service files you can easily find the problem if you have little electronic knowledge. These are PEAVEY ORIGINAL owner manuals, schematics, board layouts, parts list!!! Remember For Peavey, a complete Service Manual is only schematics, Board layout and part list. This DVD PC and Mac compatible contents more than 170 PDF files Adobe Reader XI !!! The files are not compressed to save on DVD cost. You will see all the files as you open it in your PC or Mac computer.

<https://diatecgroup.com/images/concepts-of-genetics-9th-edition-solution-manual-free.pdf>



All the files are listed by models numbers, so very easy to find the critical information. You will always have all the informations of your gear with you to give to your repair shop. Note Shipping time is about 24 weeks in average all around the world by regular air postal service. FOR CANADIAN BUYERS ONLY SALES TAXES GST, PST, HST will be added in the Ebay final invoice. No Sales Taxes for USA and International buyers. If you need 1 or 2 service manuals file to beging a fast repair or If you need specific manuals not on the list below, just send me a message and I will be pleased to help you. Need all those files fast by email. No problem, just send me a message when you will buy. You are the light of the world. We have 95 Peavey Diagrams, Schematics or Service Manuals to choose from, all free to download. This Website contains a compilation of information already available elsewhere on the internet and therefore considered to be in the public domain. We make every effort to ensure the information contained here is as accurate as possible, but we will not be responsible for any errors or omissions, or anything resulting thereof. However, we do not accept any liability for any loss, damage or inconvenience, of any kind, as a result of downloading any information from this site. Always scan any information downloaded from the internet with an up to date virus scanner before opening the downloaded information. Peavey CS 800x 800 Watt PA Stereo power Amplifier. The Part in question Q4025P is an alternistor. Two SCRs back to back that may have shorted out if it is not working. Login to post Peavey Diagrams Schematics Service Manuals Peavey Schematics Circuit Diagrams Peavey CS 800x 800 Watt PA Stereo power Amplifier. Two SCRs back to back that may have shorted out if it is not working. Contact a local Peavey dealer or Peavety directly. These parts are still available. Dan Pull it out and you may see melted parts or scorching on the circuit board.

<https://dhomerotravel.com/images/concepts-of-genetics-10th-edition-solutions-manual.pdf>



Peavey does repairs on its own products pretty reasonably if there's no local tech. Call Peavey Customer Service at 8777328391. Answer questions, earn points and help others. And by having access to our eBooks online or by storing it on your computer, you have convenient answers with Peavey Amplifier Service Manual. To get started finding Peavey Amplifier Service Manual, you are right to find our website which has a comprehensive collection of manuals listed. Our library is the biggest of these that have literally hundreds of thousands of different products represented. I get my most wanted eBook. Many thanks. If there is a survey it only takes 5 minutes, try any survey which works for you. Many new service manuals, schematics, circuit diagrams and electronic documents are uploaded daily by our members. Since 2005 we are at your service of all electronic technicians.

Page 3 ENGLISH. Page 5 especially into a 2 ohm load, will cause the breaker to trip. If this occurs, simply reset the breaker and. Page 6 connected to the amp via the XLR connector and then further distributed locally via the THRU jack. Alternatively, when the. Page 7 THE S2 OUTPUT MODULE 17 17. Connectors and a unique patching capability. Page 8 THE S2 OUTPUT MODULE REAR VIEW 20. BRIDGE MODE Option 3 20. The following wiring allows the Speakons to. Page 9 internal fans must have a source of air that is not preheated by other equipment. If cool, the amplifier will. Page 10 CS 500A SPECIFICATIONS. MUSIC POWER IHF202 Typical value, 120 VAC, 60 Hz INPUT SENSITIVITY and IMPEDANCE Cuando se dispara, el botón del cortacircuito sobresale casi 12 mm y. Page 14 Cada canal también tiene un enchufe hembra telefónico 14 identificado como "pasante". Este enchufe hembra ofrece una Page 15 MODULO DE SALIDA S2 17. Page 16 INSTALACION Y CONEXION. Page 17 margen hasta recortar la señal recorte.

Este sistema de compresión se activa mediante un circuito exclusivo que sensa la POTENCIA MUSICAL IHF202 Valor típico, 120 V CA, 60 Hz SENSIBILIDAD DE ENTRADA. Page 22 MODULE DE SORTIE S2 17. Le module de sortie S2 est équipé de deux prises Speakon et permet différents types. Page 23 INSTALLATIONS COMMERCIALES ET PROFESSIONNELLES. Pour ce genre d'installation qui exige un fonctionnement à haute puissance, les amplificateurs doivent être installés. Page 24 CS 500A SPECIFICATIONS. MUSIC POWER IHF202 Typical value, 120 VAC, 60 Hz INPUT SENSITIVITY and IMPEDANCE Page 25 DEUTSCH. Diese neue Version übertrifft alle Vorgängermodelle. Page 26 Siehe Diagramm der Frontplatte im englischen Teil des Handbuchs. Page 27 B1 Eingangsmodule 10. Das Standard Eingangsmodule, mit dem der Verstärker geliefert wird, wird als B1 Modul bezeichnet. Es verfügt sowohl über Page 28 beiden roten Klemmschraubenanschlüsse angeschlossen. Die roten Klemmschraubenanschlüsse für Kanal A sollten dann als Schraubanschlüsse sind auf. Page 30 Doppelten der Nennbelastbarkeit eines Kanals gleicht. MUSIC POWER IHF202 Typical value, 120 VAC, 60 Hz INPUT SENSITIVITY and IMPEDANCE Page 32 NOTES What This Warranty Covers. Your Peavey Warranty covers defects in. Page 36 SPEAKON IS A REGISTERED TRADEMARK OF NEUTRIK AG. During repair, pay attention to electrostatic breakdown and also use the procedure in the printed matter which is included in the repair parts. The flexible board is easily damaged and should be handled with care. Therefore, when checking the laser diode emission, observe from more than 30 cm away from the objective lens.

Never turn the semifixed resistor located at the side of optical pickup block. The following test discs should be used to check the capability J25020631 CDRW test disc TCDW082L Part No. The picture data uses the MPEG 1 format Video CD, worldwide standards of digital compression technology. Video CDs also contain compact audio data.

<https://www.a2zmedical.com.au/wp-content/plugins/formcraft/file-upload/server/content/files/1628853bd74385---campbell-hausfeld-operating-manuals.pdf>

Sounds outside the range of human hearing are compressed while the sounds we can hear are not compressed. Recently, various music discs encoded with copyright protection technologies are marketed by some record companies. Please be aware that among those discs, there are some that do not conform to the CD standard and may not be playable by this product. However, since the audio material side does not conform to the Compact Disc CD standard, playback on this product is not guaranteed. The factory JBL subwoofer in my 2006 4Runner blew a few months ago and I really didn't want to go aftermarket because of just how great the stock system sounds with no bulky sub or amp taking up precious cargo room. I ordered the repair kit Friday, and here it is Monday and the sub is already repaired and back in the truck. I am extremely impressed by the quality of the replacement surround and the simplicity of the installation, not to mention the great price. Your instructions were top notch and having a YouTube video to watch just to double check the steps is just icing on the cake. I am a bug believer in repair instead of replace when at all possible, and I will most definitely be ordering from your company again in the future. Please, please keep up the awesome things you all are doing. In a disposable world, it's a relief to see a company that still believes in repair. Thank you so much! The foam edge kit I ordered arrived in only two days. Your online videos provided me with everything I needed for a first time foam edge repair. My Mach 3s sound great again. Great doing business with you. After watching their excellent video on how to repair my woofers, I was about to buy one of two repair kits, but after I sent a photo, they identified that neither kit would work for my repairs, and that the only option was replacement which saved me buying a repair kit or two, as well as a lot of time and frustration.

Taking this time to answer my rookie questions, even though I was obviously not going to be a high-dollar customer, really impressed me. I buy things online now and then, mainly through Amazon, but I have never taken the time to write a review before, if that tells you anything. An easy way is to view their instructions ahead of time. Before ever ordering I watched the video on repairing my 128H speakers. It covered things I didn't know differences in diameter cones, and fully showed the repair process. Not only that but Sean Ryan guy in the video actually looks like he's talking from experience unlike the other videos I viewed. Honestly he looks like he could refoam a speaker in the dark. Anyhow, warm fuzzy feelings that if I hit a snag I could call someone and they'd actually know what I was talking about. Plus other kits I looked at really do seem to come with the same white glue that we ate in kindergarten. The quality of the foam seems good too. Anyhow, after watching the video and reading their instructions I refoamed two speakers on my kitchen counter in a Friday evening with no trouble at all and the speakers sound great once again. First time order from Simply Speakers and I have to say I like the glue that came with this order a good deal better than the two different glues received from the competition in the past. The other worked as well, but this was a good deal easier to work with in my opinion. Your quick response team is awesome in answering questions. Your super fast shipping can't be beat. You have outstanding customer service. I would highly recommend you to anyone looking for excellent speaker repair products. Many thanks for helping me get my stereo back up and running top notch. Have a wonderful day! I called to inquire about refoaming my vintage Heathkit AS1348 woofers last Friday. I was not hopeful of a favorable outcome considering their age and rarity. However, when I called I was pleased to learn that my speakers indeed could be repaired.

I was shipped the NewEdgeIt repair kit on Monday and as of Friday morning I am listening to them

in all their former glory. Although I had never attempted such a repair or even knew it was possible, with the help of your online videos it was simple and straightforward. Many thanks for your prompt and courteous service. As I am now retired, I look forward to many more years of enjoyment from my system which I built more than 30 years ago.