

Cz702 Manual



File Name: Cz702 Manual.pdf

Size: 4022 KB

Type: PDF, ePub, eBook

Category: Book

Uploaded: 23 May 2019, 21:40 PM

Rating: 4.6/5 from 569 votes.

Status: AVAILABLE

Last checked: 3 Minutes ago!

In order to read or download Cz702 Manual ebook, you need to create a FREE account.

[Download Now!](#)

eBook includes PDF, ePub and Kindle version

[Register a free 1 month Trial Account.](#)

[Download as many books as you like \(Personal use\)](#)

[Cancel the membership at any time if not satisfied.](#)

[Join Over 80000 Happy Readers](#)

Book Descriptions:

We have made it easy for you to find a PDF Ebooks without any digging. And by having access to our ebooks online or by storing it on your computer, you have convenient answers with Cz702 Manual . To get started finding Cz702 Manual , you are right to find our website which has a comprehensive collection of manuals listed.

Our library is the biggest of these that have literally hundreds of thousands of different products represented.



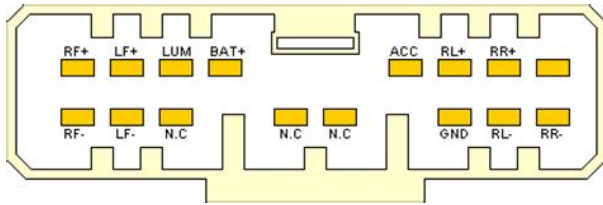
Book Descriptions:

Cz702 Manual

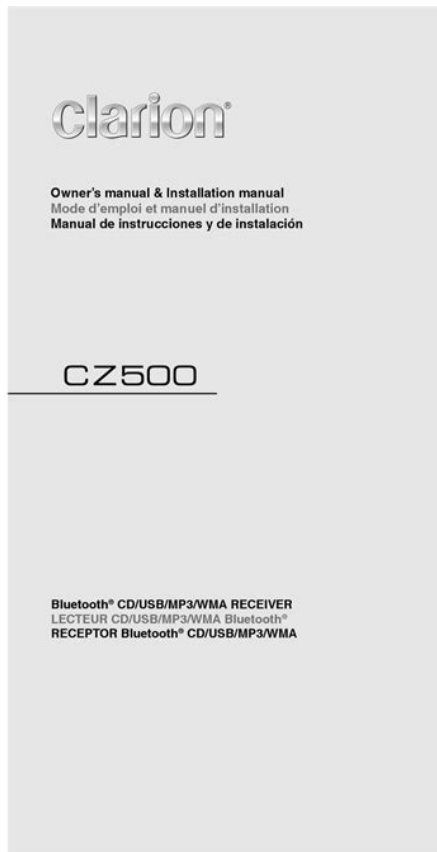


If your computer does not have this software, you can download the appropriate version for your PC from Adobe's website by clicking on the icon. EnglishPage 4 Screws M5x6 mm Cleaning the body Remove the DCP. EnglishOperational Panel Names of ButtonsBasic Operations Basic Operations. Note Note Volume adjustment. Page 10 HD Radio Operations Radio Operations HD Radio Operations. EnglishThe CZ702 offers iTunes Tagging, which. Page 12 SiriusXM Satallite Radio Operations SiriusXM Satallite Radio Operations. EnglishEnglishPage 16 AUX Operations Bluetooth Operations Bluetooth Operations. EnglishEnglishEnglishPage 23 Clarion Co., Ltd. Contents. Thank you for purchasing this Clarion product.Remove the DCP. 3. Attach the DCP. 3Names of Buttons. 4. Remote Control RCX001. 4. Notes of remote control using. 4System Setup. 6. Audio Setup. 6. Radio Operations. 6. HD Radio Operations. 7. SiriusXM Satallite Radio Operations. 8. USB Operations. 11. AUX Operations. 13BEATEQ with 3 Band Parametric Equalizer and MAGNA BASS EX Dynamic Bass Enhancement. Expanding Systems. Expanding audio featuresUSB MemoryPortable PlayerVehicle Tuner SCC1HD Radio tunerNoteEnglishAlso, while driving, keep the volume to a level at which external sounds can be heard.In the eventFCC Rules. Operation is subject to theRules. These limits are designed to provideHowever, thereFCC Radiation Exposure StatementPlease note that theInc., registered in the U.S. and otherPandora marks are trademarks or registeredSIG, Inc. and any use of such marks by. Clarion Co.,Ltd, is under license.Cleaning the bodyRemove the DCP. The control panel can be detached to preventWe recommend taking the DCPUSB PortFor a longer service life, be sure to read theDoing so mayDoing so may damage or deform theWhen disconnecting the USB memoryDCP into the DCP bracket.Be careful not to damage itNote. If the DCP is dirty, wipe off the dirt with a soft, dry cloth only. Operational Panel. Disc Slot.<http://www.tcco.com.tw/upload/editor/301319261322.xml>

- **cz702 manual, clarion cz702 manual, 1.0, cz702 manual, clarion cz702 manual.**



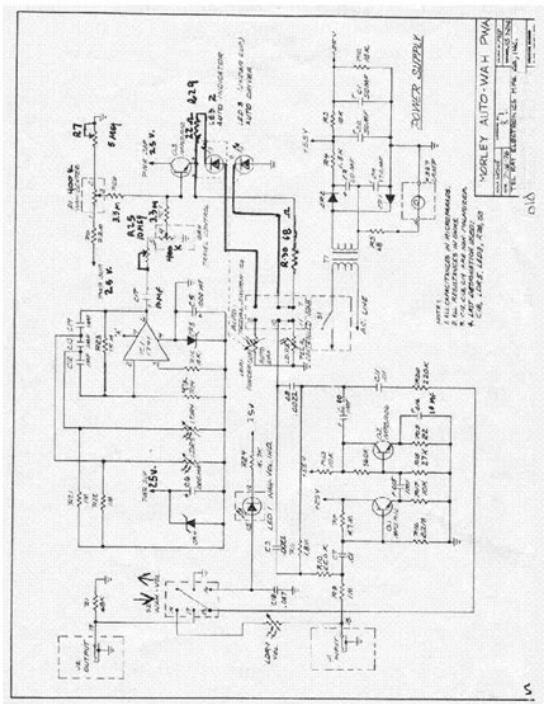
Names of Buttons
 Create new station PANDORA
 Thumbs up PANDORA mode. Thumbs down PANDORA mode
 English. Remote Control RCX001
 Inserting the Battery
 Insertion guide
 Basic Operations.
 Storage
 Ballpoint pen. Roughness
 If you try to play such a disc, you may not
 Use of such discs may cause misoperation
 Note. Handling
 On Discs
 Be careful about adjusting the volume. For your safety, the driver should not insert
 The adjustable range of volume is 0 to 40.
 Playing source selection.
 Notes
 Engine ON
 The unit goes Mute
 Notes. Playing source selection means selecting
 Display system time
 Note. Doing the operation above again or adjusting
 AUX SENS AUX mode. Input sensitivity LOW, MID or HIGH at AUXTRACK, but user can adjust it to other ID3
 DIMMER ON or OFF.
 Select OFF if the PANDORA application SVR screen saver ON or OFF.
 For track information that is longer than the
 When SCROLL is ON, the LCD will scroll the. ID3 TAG information across the display, e.g.
 When SCROLL is OFF, the LCD will display
 Select tuner as playing source
 Selecting the radio band
 Manual tuning. During manual tuning, the frequency will be
 To stop searching, repeat the operation
 Note
 Radio Operations. Auto tuning. Audio Setup
 BEAT EQ in this order
 English. Audio Setup. System Setup. When a station is received, searching stops
 Preset scan. Preset scan receives the stations stored
 This function is
 Note
 Auto store. Only stations with sufficient signal strength
 To stop auto store, press other buttons having
 Notes
 FM3 and AM. FM3 and AM can store
 Manual store. When one expected radio station has been
 Recall the stored stations. Press one numeric button among 1 to 6 on CZ702
 Radio Operations
 Local seeking. When LOCAL seeking is ON, only those
 To select LOCAL function, press and hold. HD Radio Operations. DX displays on the screen, and rotate the
 Note. The number of radio stations that can be
 HD Radio Technology allows CD
 quality FM radio stations. HD Radio broadcasts
 With an HD Radio tuner connected, you
 NOTE Not all FM or AM stations offer. HD Radio digital broadcasting.
<http://intop.in.ua/userfiles/brother-fax-275-manual.xml>



You can Accessing radio mode Select a band Tuning Note. NOTE Multicast stations can be stored as Auto reception mode to receive them. HD Radio multicast channels. To tune to an HD Radio multicast channel, PTY and SUB. CH are displayed. Select PTY or SUB CH by Preset stations. Up to six stations on each band can be Press and hold the desired preset button The station is now Repeat for the Automatic store AS When using the Auto. Store feature, the new stations replace any Note. You can stop the Auto Store function at any Note For detailed information on the playable iPod Note Tagging music. To begin tagging music, tune to an HD Radio Tagging function is ready. Full". Table 5 TAG Messages. Tag Message If the Tag data is ready, and. Tag data is sending to iPod. Tag storage is full. Tag data is not available When connect and press Tags saved to your iPod can be managed Downloading tags to your iPod. To download tags to your iPod, plug an iPod Note. When transferring Tags to an iPod, the unit To purchase SiriusXM Satallite Radio Operations. Note If no connection, the display will show. You could save If you have install iTunes, connect your SiriusXM Satallite Radio Operations. SiriusXM Tuner operation. When a SiriusXM Tuner is connected to this Receiving Channels with the. SiriusXM Tuner. About SiriusXM Satellite Radio. Everything worth listening to is on SiriusXM. Tuner and Subscription are required. For more Notes SiriusXM Tuner is connected. Satellite Radio SIRIUSXM mode. Checking the SiriusXM Radio ID. Number. To subscribe to the SiriusXM Satellite. Radio service, it is necessary to locate SiriusXM Tuner. The Radio ID contains The unit displays "RADIO ID" and ID Notes. I, O, S or F. Storing Channel Presets There are 3 Satellite Radio Preset bands. The display then shows the stored Band and Notes Tuning Channels using Presets. Presets you wish to access. Category Browsing Notes Tuning Channels using Presets. While listening to SiriusXM Satellite Radio, A note to memorize the ART artist name English.

Notes SAVE ART or SAVE SNG when available. X is the total number of song titles or Y is the total Notes Receiving and Tuning to an Alert. Whenever a stored sports team, artist, or song ALERT appears on the unit display. To SiriusXM Satallite Radio Operations. SiriusXM Satallite Radio Operations. Notes TAGGED" will be displayed when you try to Search Function. You can search for SiriusXM programming Notes. Receiving and Tuning to an Alert. SiriusXM Channel. The channel you selected is stored as the Notes Instant Replay Function. When SiriusXM mode, you can pause, rewind

anfRadio. The display will show "PAUSE" while in During playback, the SiriusXM Tuner will During REPLAY playbackNotesSiriusXM radio mode.Replay memory. Using iTunes taggingNotesSiriusXM channel if the display shows theThe "Tag" blinks at the same time the NotesChanging the Display. Text information, such as the channel name,The unit can display this text information asEach time you press this button, the NotesTo disable DRMThen, reconstructPersonally constructed WMA files are usedWMA file. Usable sampling rates and bit ratesFile extensionsThe files will be played soundlessly if youLogical format File systemNormal playFolder structure. A disc with a folder having more than 8Number of files or foldersUp to 3000 files can be played.Eject function. NotesListening to a disc already loadedLoading a CD. InsertSLOT with label facing up. The CD playsNotesCDROMs cannot be played by this unit.Displaying CD titlesFastforward. FastreverseFolder Select. This function allows you to select a folderNotes. Search FunctionWhen SCROLL is OFF, each time you press. TITLE" appears in the display. Tags. Selecting a track. TrackupTrackdownEnglishAnd then the track listTop function. The top function resets the CD player to theOther various play functions. Scan play. This function allows you to locate and playRepeat play. This function allows you to play the currentOFF" appears on the display to cancelRandom play.

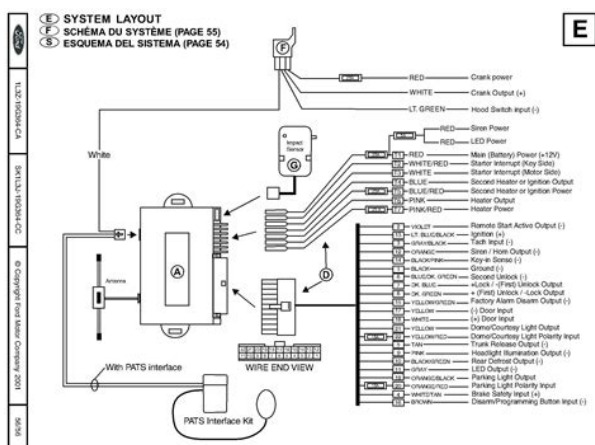


<http://eco-region31.ru/bose-headphones-owner-manual>

This function allows you to play all tracksConnect. Connect an iPod or iPhone to the USBWhen connecting a device, the unit willUSB connector. Insert a USB device intoThen take off the USB device. Open theRepeat play. This function allows you to play the currentOFF" appears on the LCD to cancelRandom play. This function allows you to play all tracksRDM" appears on the LCD for album randomOFF" appears on the LCD to cancel randomSetting iPod simple control mode. Use this function if you wish to operate throughNotesThis function searches the subfolders for desiredBluetooth Operations. The Bluetooth allows you to utilize your car'sBluetooth mobile phones have the audioThis system can playThe car stereo with Bluetooth will be able toNoteHandsfree Operations. PairingMaking a call. Operation from Bluetooth menuRepeat the above untilUser pbk.User can search the contact name in theEnglish. You can answer an incoming call byAudio Streaming Operations. What is audio streaming Audio streaming is a technique forAudio streaming

may or may not System will always return to Radio mode Note. Be sure to read the chapter "Pairing before Selecting a track. Trackup Bluetooth Operations Trackdown Note. Playing order will depend on Bluetooth audio. A2DP devices will restart the current track During music streaming playback, "A2DP" will Information about When A2DP device is disconnected, "BT. DISCONNECT" will be shown on the display MUSIC mode. Unit can not power on. ID3 display. During music streaming playback, for music When SCROLL is ON, the LCD will display. When SCROLL is OFF, the LCD will display TAG information by press AUX Input sensitivity setting And if the output Unit can not power on. Nothing happens The microprocessor has Measure. Replace with new fuse of correct rating. Turn off the power and remove the DCP. Note Display is not Improper audio output connection. Check wiring and correct. Poor sound quality or AUX Operations. Cause. Unit fuse blown. Volume set too low. Increase volume level.

<http://mill282.com/images/Decor-1571-Manual.pdf>



Speakers damaged. Replace speakers. Heavily biased volume balance. Adjust the channel balance to center position. Speaker wiring is in contact with Insulate all speaker wiring connections. Nonstandard disc used. Use a standard disc. Speaker power rating does not Replace speakers. Wrong connections. Speaker is shorted. Unit resets itself when Incorrect connection between ACC. Check wiring and correct. DISC Player. Problem. Disc cannot be Sound skips or is Sound is bad when Cause. Another disc is already loaded. There is an object install installed Compact disc is dirty. Compact disc is heavily scratched Condensation may form on the internal Measure. Eject the disc before loading the new one. Remove the object inside the unit. Clean the compact disc with a soft cloth. Replace with a compact disc with no Let dry for about 1 hour with power on. Replace with a new USB device. The USB device is damaged. Disconnect the USB device and reconnect. If the Connectors are loose. No sound heard with USB device. Store these files properly in the USB device. Sound skips or is FM Tuner Aux in level 2V. Frequency range 87.9107.9MHz. Usable sensitivity 8dBf. Frequency response 30Hz15kHz. Stereo separation 30dB1kHz. General. AM Tuner. Frequency range 5301710kHz. CD Player. System Disc digital audio system. Frequency response 20Hz20kHz. Total harmonic distortion Less than 0.1% 1kHz. MP3 sampling rate 8 kHz to 48 kHz. WMA bit rate 8 kbps to 320 kbps. Logical format ISO9660 level 1,2 Take the measures described below to solve the problem. Display. Disc is inserted incorrectly. Eject the disc then reload it properly. The disc format is not supported. Try another disc. This is a failure of deck's mechanism. Consult your store of purchase. Playable audio format Notes Pre Amp output voltage Fuse 15A. Dimensions of the Main Unit Weight of the Main Unit 2.87lb. 1.30kg. Dimensions of the Remote Control unit.

<http://impressionmexico.com/images/Decor-Flame-Convection-Heater-Manual.pdf>



Weight of the Remote Control Unit Reversing the connection direction of the USB The USB device has been Measure USB device cannot Cause. English. USB Devices Audio Amplifier. Maximum power output Speaker impedance 4 4 to 8. Input. Audio input sensitivity. High 320mV at 1V output. Mid 650mV at 1V output. Low 1.3V at 1V output Power Output Signal to Noise Ratio Chassis. Max 30 Max. 6 mm M5 screw. Figure 2 Figure 3 Car battery. Figure 1 Wire connector. 1. Remote control unit with battery. 1. Owner's manual. 1. Warranty card. 1. Special screw Front panel lock. 1 Notes Consult your Clarion dealer for details. For tough dirt, Hole There are no Chassis. Damage Source unit. 1. Front panel. 1. Trim ring. 1. Mounting bracket. 1. Screws M5x6 mm. 4. Lkey. 2 Installing the Dashboard Method B. Disassemble trim ring English. Notes of installation. Unit Installation. Method AM5x6 Screwdriver. Dashboard. Mounting Frame Trim Ring installation. Disassemble the unit Attach the trim ring around the front panel. Take care of the top and bottom of the trim Mounting Bracket Top. Bottom Gray. Front Right. Black. White. Rear audio output Left. Rear Left. Front Left. Purple. Red. Rear Right. Rear audio output Right. Yellow wire Memory backup lead. Connect directly to battery. Fuse 15A. Green. Red wire Power lead. Accessory White. Left. Right. Front audio Black wire Ground lead Gray Front Right. Refer to next page. Connect to vehicle chassis ground. Connect it to the car power supply terminal Purple Green. Not used. Insulate each wire External amplifiers can be connected to the 4 channel RCA output connections. PDF Version 1.4. Linearized Yes. Instance ID uuid6d3e5edd57cd4276a72830a83c13c888. Document ID xmp.didBABA2954A914E1118E8EEA4096B889CB. Original Document ID adobedocidindda0ff568362e111dfb8beee70da3709a7. Rendition Class proofpdf. Derived From Instance ID xmp.iidB9BA2954A914E1118E8EEA4096B889CB. Derived From Document ID xmp.did9F98CBA8C611E111A69BCB06A22A99F3.

Derived From Original Document ID adobedocidindda0ff568362e111dfb8beee70da3709a7. Derived From Rendition Class default. Manifest Link Form DirectStream, DirectStream. Manifest Placed X Resolution 72.00, 72.00. Manifest Placed Y Resolution 72.00, 72.00. Manifest Placed Resolution Unit Inches, Inches. Manifest Reference Instance ID uuidFDF650A80137DC11853FD87CA21ACB64, uuiddd56bfe0444d4e8f84b46506a86db5a4. Manifest Reference Document ID uuidFCF650A80137DC11853FD87CA21ACB64, xmp.did19C90B2F9AC3DE11B46ED17AC4F73DB0. Creator Tool Adobe InDesign CS4 6.0. Thumbnail Format JPEG. Thumbnail Width 256. Thumbnail Height 256. Thumbnail Image Binary data 5162 bytes, use b option to extract. Doc Change Count 13968. Producer Adobe PDF Library 9.0. Trapped False. Page Count 18. Creator Adobe InDesign CS4 6.0. To calculate the overall star rating and percentage breakdown by star, we don't use a simple average. Instead, our system considers things like how recent a review is and if the reviewer bought the item on Amazon. It also analyzes reviews to verify trustworthiness. See All Buying Options Add to Wish List Disabling it will result in some disabled or missing features. You can still see all customer reviews for the product. Display colors are configurable. Right off the bat, the radio annoys with constantly cycling its colors and displaying what must be advertising of its various features in its display. These things all work with my other vehicle. Needless to say, handsfree BT is

pretty pointless if you have to manually reconnect it every time you get in the car. Moving on to try the usb audio, first I found out this radio does not play anything from itunes. After creating copies of everything in mp3, I found the UI to be poor. Not recommended. Please try again later. From the United States Second, if you're using the MP3 player with a stick, it takes forever to load each time. Please try again later. Please try again later. Some of the best bang for your buck.

<https://www.jesuseslaroca.org/wp-content/plugins/formcraft/file-upload/server/content/files/16289def3947a8---canon-f720i-manual.pdf>

This unit has lots of features and control settings for sound. It is a little overwhelming at first, but gets amazing sound once you learn how to set it up. Please try again later. Please try again later. The manufacturer commented on the review below Skelshy 2.0 out of 5 stars Display colors are configurable. Not recommended. Please try again later. The other Bluetooth issues that you have reported may be corrected by the software update that is posted on Clarion.com. Here is a link to the update With so many different formats of digital music out there it can some times be difficult to figure out which song will play on what medium. The CZ702 can read MP3 and WMA files when loaded on a CD or USB drive. If you have songs purchased from iTunes, you can either convert them to one of these formats or load them on an iPod and connect it to the radio. When an iPod is connected you will possess even greater control of your music library to search for that perfect song. Please try again later. Ive always liked clarion car stereos, theyve never disappointed me. This one is no exception. Loving the Bluetooth feature, can listen to my music on my phone with out having to plug it in to a aux cord plus it has Pandora feature. Cant be happier. A must buy for anyone Please try again later. Please try again later. N. Manzanillo 4.0 out of 5 stars For the price it is very good bargain. Out of the box integration with pandora is a plus. Iphone 5 integration is not 100% flawless due to the lack of analogue output. After year and a half Solid for me. Still using it it, can use a better MP3 decoder, if you really want hifi, on mp3s or use lossless you may want to hook up your tablet or IPOd to it. Planning to add a 4 channel amplifier, to it. Still for the price is a very good buy. Please try again later. Please try again later. zzbottom 5.0 out of 5 stars Please try again later. Please try again later. Paul Hagger 4.

0 out of 5 stars My primary criteria were that the head unit have as little bling as possible so no chrome, that it have a USB input source, that it offer random play, and that the display color could be set to match the other displays in my car amber, in a Porsche.

<http://www.bosport.be/newsletter/bose-headphones-owner-manual>